

TONG-DA CO-654W Swing Projector Instruction

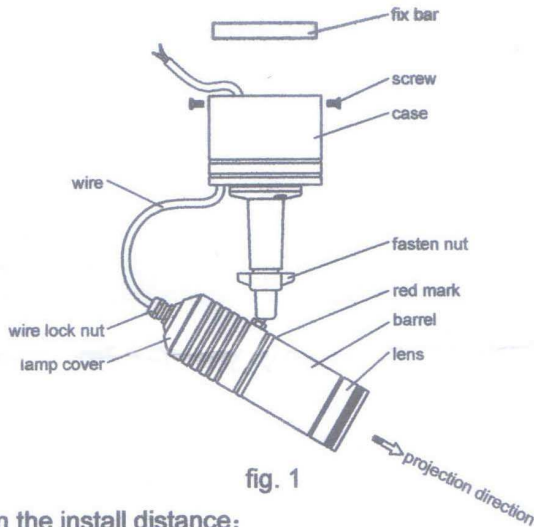


fig. 1

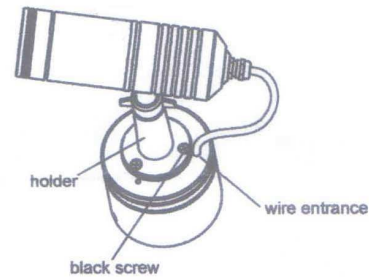
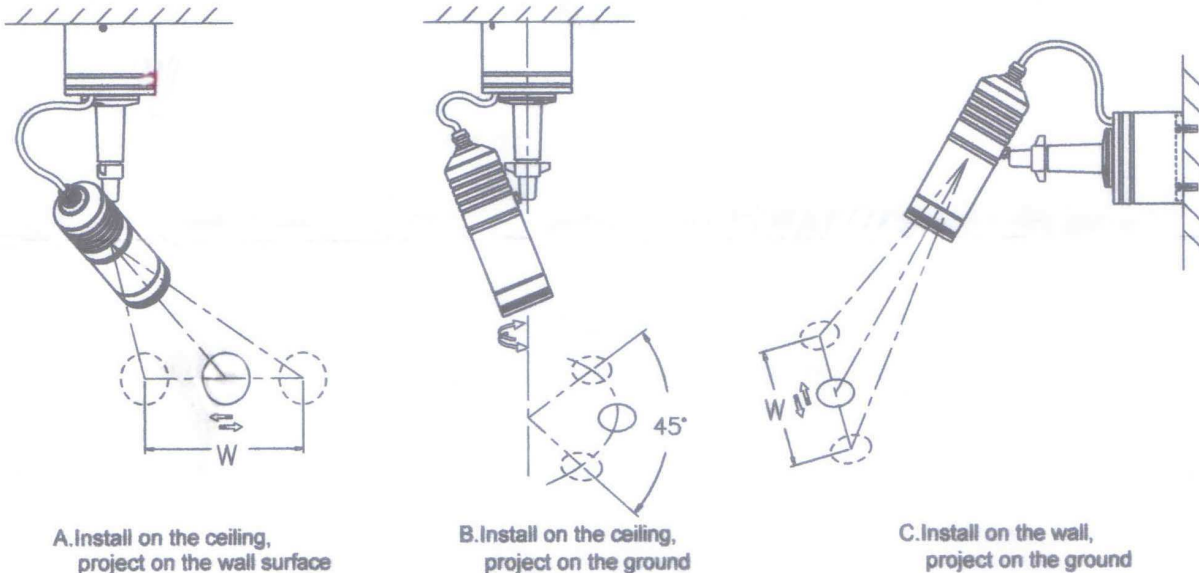


fig. 2

1. Calculation the install distance:

- 1) The distance from light to projection surface = $3.75 \times$ projection diameter
- 2) Install method A/C, the projection swing width(W) = $0.828 \times$ the distance from light to projection surface

2. Install the lighting:



A. Install on the ceiling, project on the wall surface

B. Install on the ceiling, project on the ground

C. Install on the wall, project on the ground

- 1) Before installation, according to above calculation result, choose install method, ascertain install place, please pay attention to the fix bar direction must be in accord with the projection direction, otherwise the wire is easy to be wrapt. Please see the fig.1, the fix bar direction at the same plane with the projection direction. For the installation method A, the fix bar install on the ceiling, upright position with the wall. For the installation method C, the fix bar install on the wall, upright position with the ground.
- 2) Install fix bar, then use the link hat to connect the power wire, ensure not to loose.
- 3) Use screw to fix the case.

3. Adjust the projection position:

- 1) Spin the holder, make the black screw aline with the wire entrance. (see the fig.2)
- 2) Unscrew the fasten nut, make the len aligning the projection center, then lock the fasten nut tightly. Ensure the power wire not to twining.

4. If the projection isn't clear, you may rotate the len.

5. Replace GOBO: Rotate and take off the barrel first, replace the GOBO. Pay attention to make the 6 or 12 o'clock position of the gobo aline with the red mark of barrel, and clean up dust.

6. Replace Lamp: Unscrew the wire lock nut, unscrew the lamp cover, replace new lamp.

- Cautions :**
- 1) This product is only suitable for indoor use.
 - 2) The lighting body surface temperature is high, never touched!